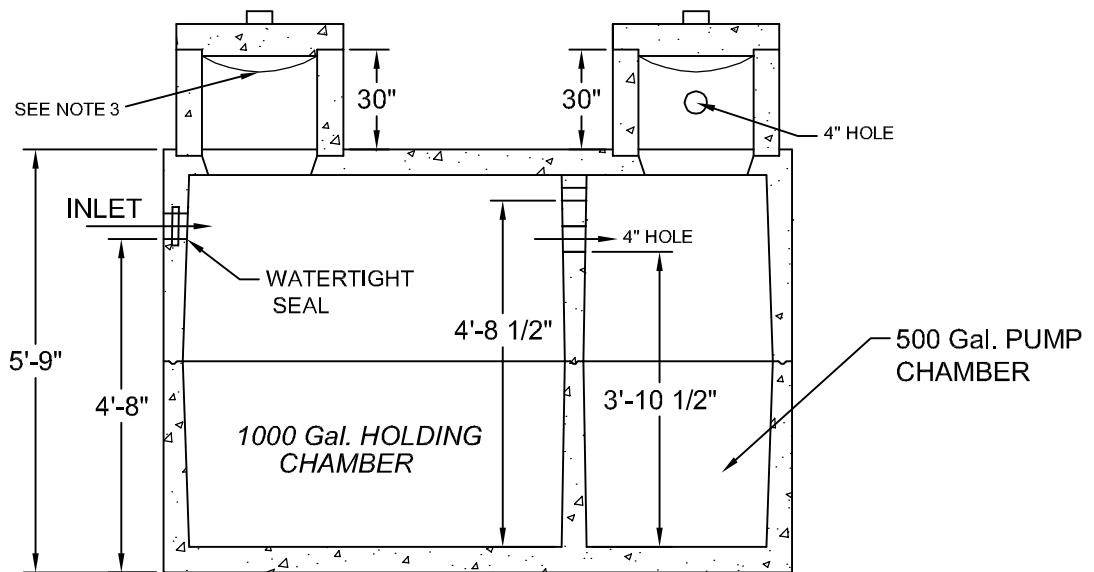


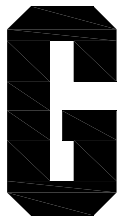
TOP VIEW



SECTION A-A

**NOTES:**

1. All joints sealed w/ Conseal CS101 bitumastic sealant.
2. Exterior to be bitumastic coated.
3. Inflow covers optional.
4. Each section weighs 7,000 lbs.



**GILLESPIE & SON**

CONCRETE PRODUCTS

BOX 450 100 DIXON DR  
CHESTERTOWN, MD 21620  
1-800-638-6884

**ROYAL OAK TANK**

DRAWN BY:

J.T.

DATE:

7-16-01

SCALE:

Not to Scale

DWG. #:

1 OF 1