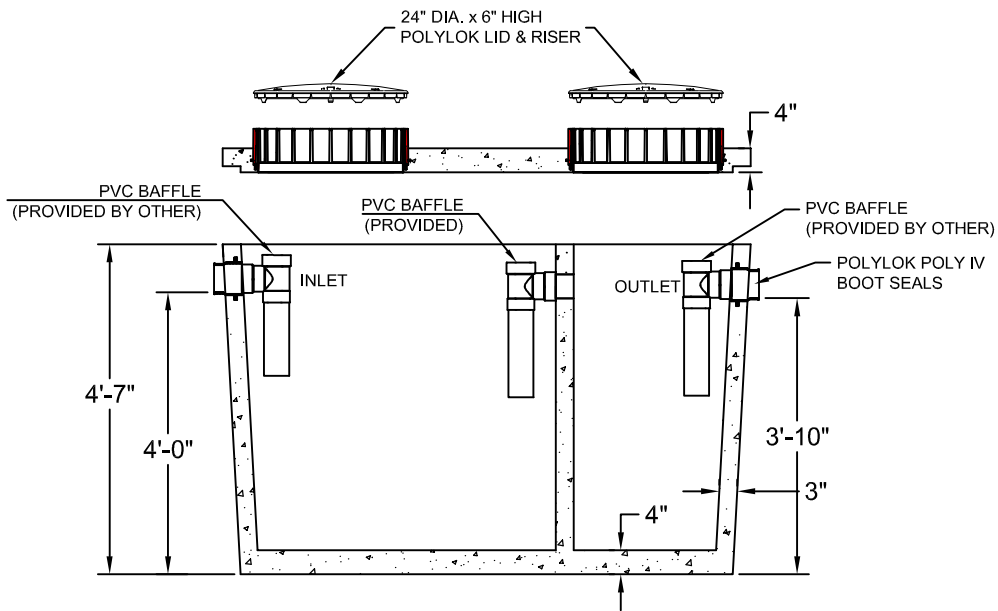


PLAN VIEW



SECTION A-A

1. OVERALL HEIGHT: 4'10"
2. WEIGHT: TANK 7000 lbs.
COVER 2300 lbs.



Chestertown, MD | 410-778-0900 | gillespieandson.com

1000 GALLON TOP SEAM Septic Tank

DRAWN BY:

P.E.G.

DATE:

05/31/17

SCALE:

Not to Scale

DWG. #:

1 of 1